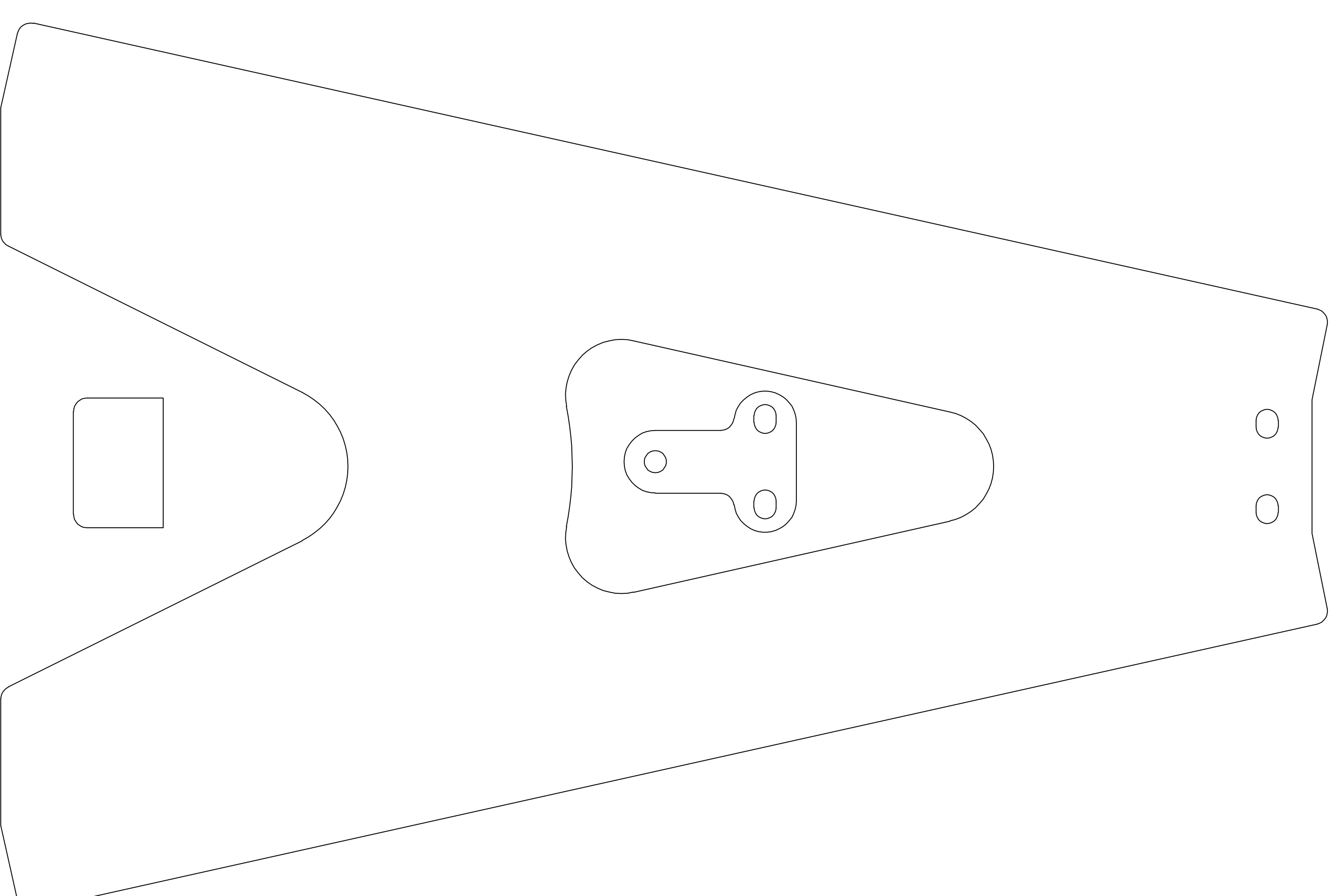
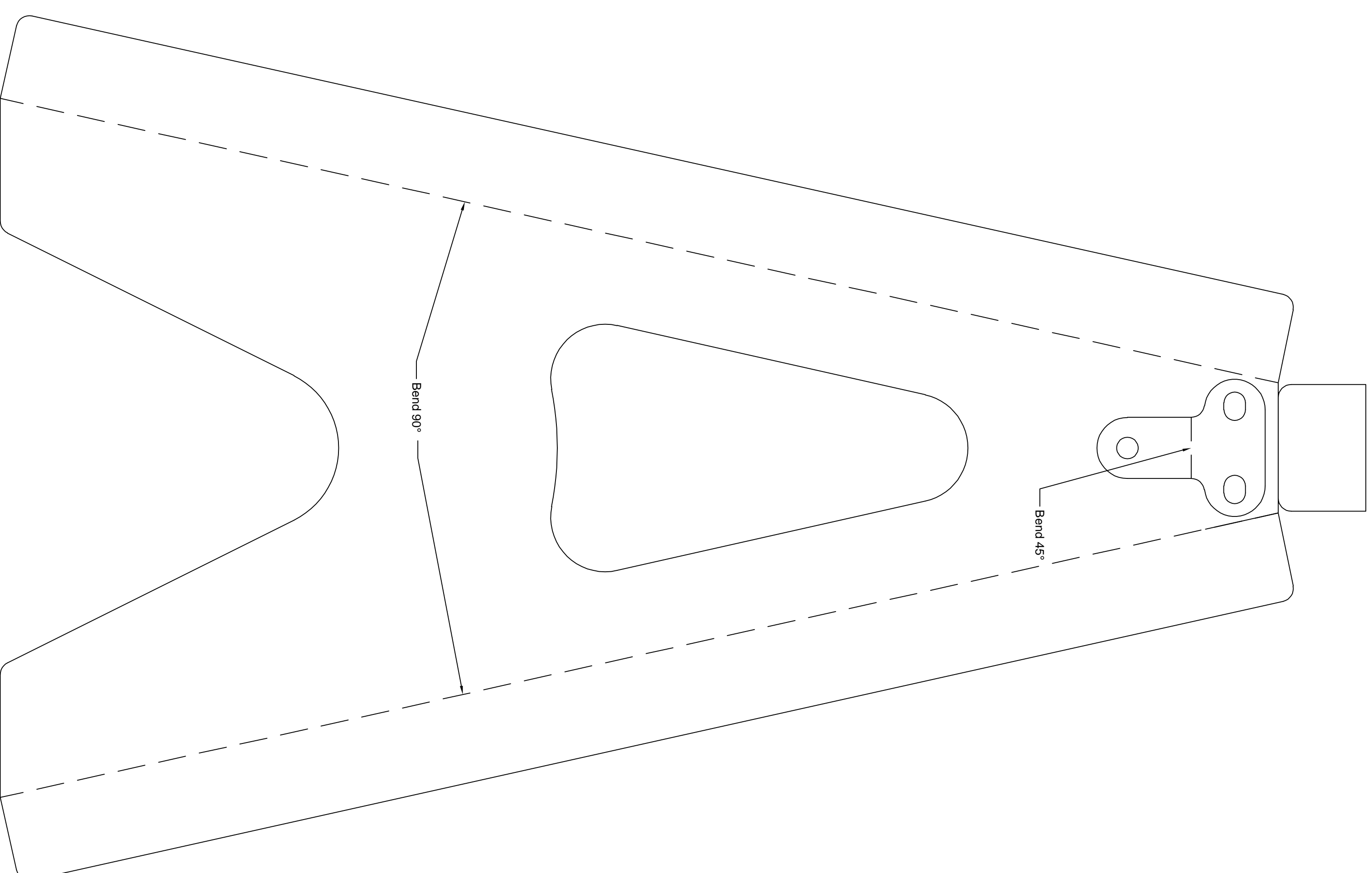
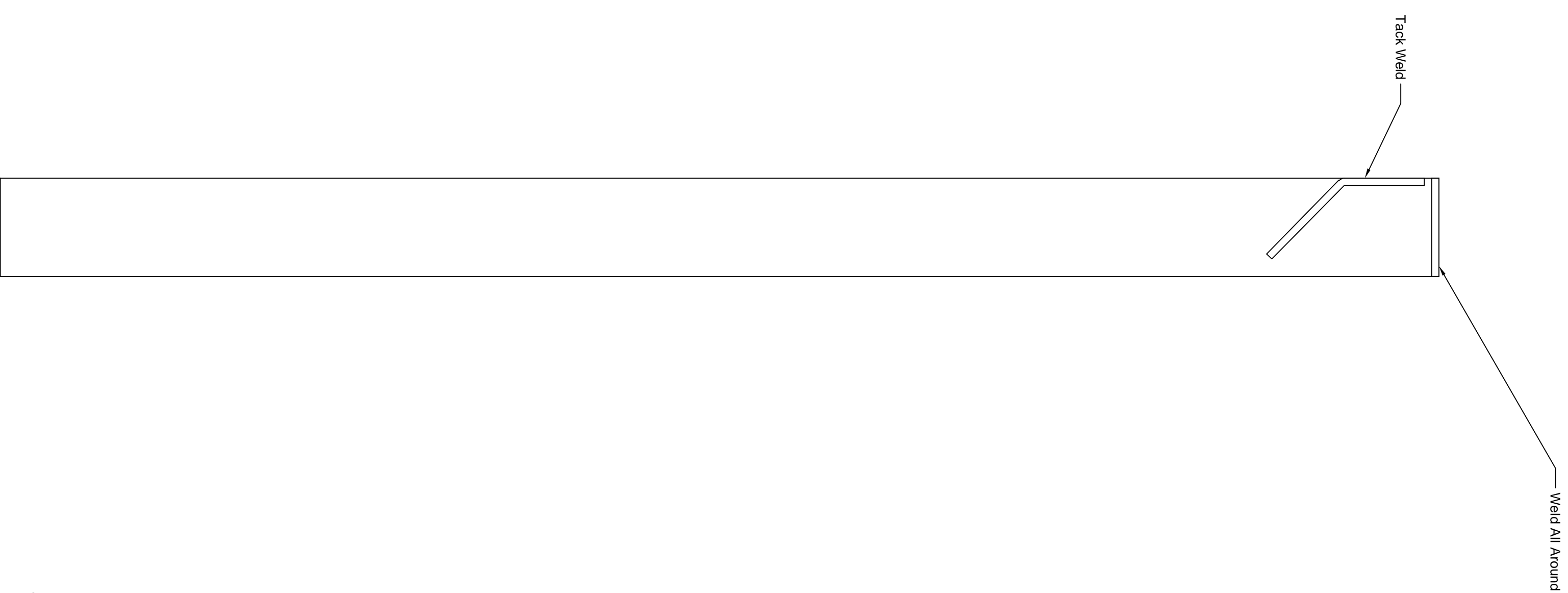


Blue Slew Assembly for Pin to Pin - 1P
 Part number below are from Mate Outlines
 Kroyer, ON

ITEM NO.	DESCRIPTION
I SSW 732 119	Titanal 7/32" x 1/8 Stainless Steel Wire Pin Foot 19 inches pin to pin
I BW 3955104	7/32 QB SWS-Tag w/ 3/8" Thread
I SWSage 732 Fork	Mate to SWSage Labour #45-7/32" Fork SWSage with 5/16" Hole
I CP 518 X 34	Brewer's 5/16" X 3/4" Clevis Pin
I 375	Blue Wire #070902 15mm OD Split Ring with Tail
I BW 310880	Blue Wire #310880 5/16" SS Eye Bolt



Flattened Assembly

Cutting Pattern